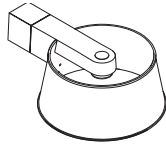


LED 3111



833.77.570	833.77.574	833.77.582
833.77.571	833.77.575	833.77.583
833.77.572	833.77.580	833.77.584
833.77.573	833.77.581	833.77.585

The products shall be supplied with

- a certified independent SELV LED driver complying with IEC/EN 61347-2-13
- output voltage (constant voltage) equal to rated voltage of this product
- output power at least equal to the rated power of this product
- max. output voltage: 59VDC

The light source contained in this luminaire shall only be replaced by the manufacturer or his service agent or a similar qualified person.

732.28.373

24V System		V	W	K	T _A	mm/in	~ =
	833.77.580 ■	24V	7.5W	2700K	-20 °C – +35 °C -4 °F – +95 °F	124x30x28 4.88x1.18x1.10	USB-C 5V/1A
	833.77.581 ■			3000K			
	833.77.582 ■			4000K			
	833.77.570 □			2700K			
	833.77.571 □			3000K			
	833.77.572 □			4000K			
	833.77.583 ■		2.0W	2700K			
	833.77.584 ■			3000K			
	833.77.585 ■			4000K			
	833.77.573 □			2700K			
	833.77.574 □			3000K			
	833.77.575 □			4000K			

[WS186]

HDE 18.06.2024

A

B 2x
3.5x35 / 0.13x1.37

+

C

- 833.77.591
- 833.77.594
- 833.77.592
- 833.77.593
- 833.77.590
- 833.77.595

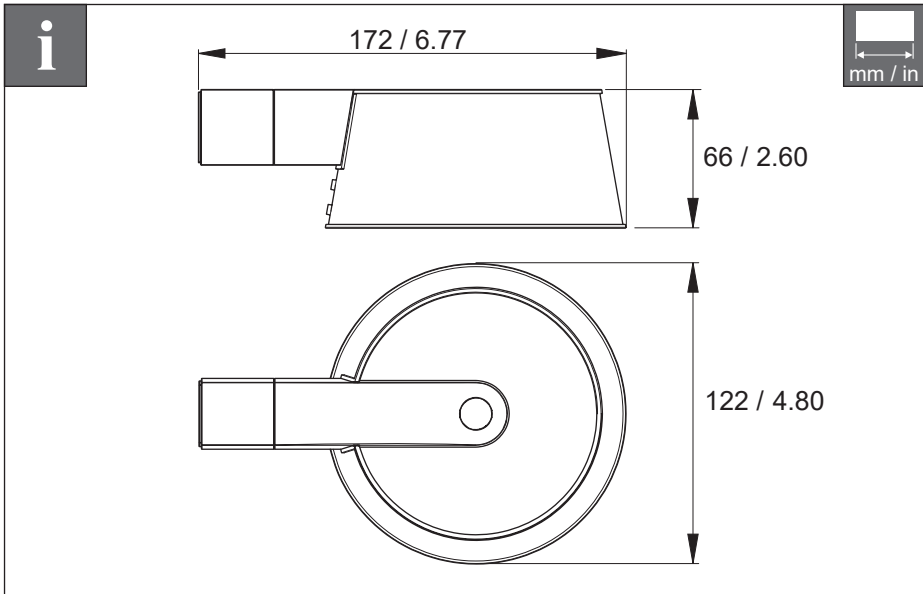
+

x	24 V
1000 / 39.37	833.95.836
2000 / 78.74	833.95.791

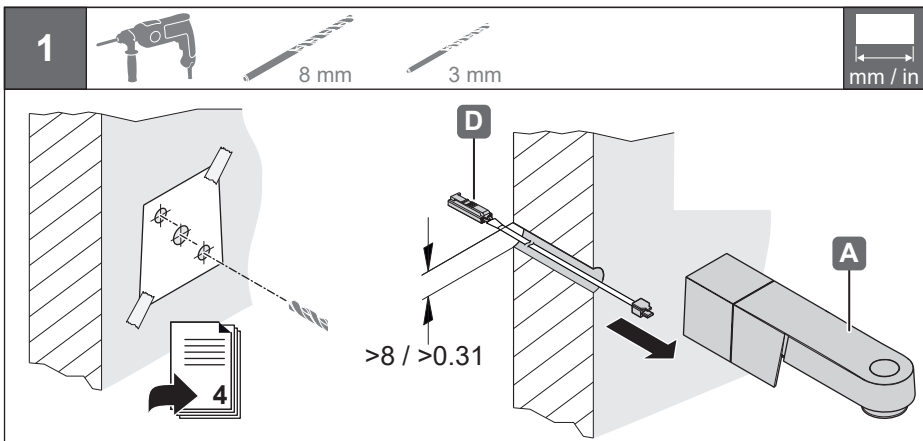
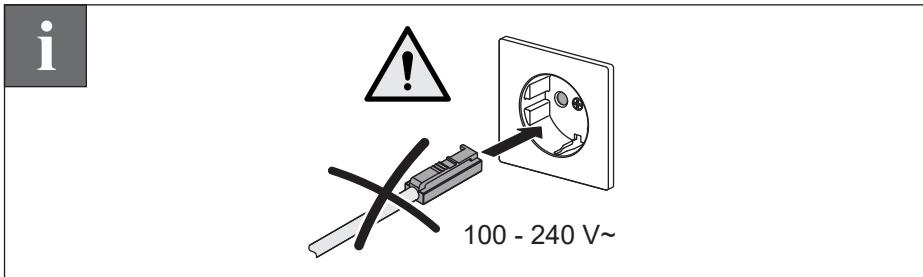
D

x

mm / in



732.28.373



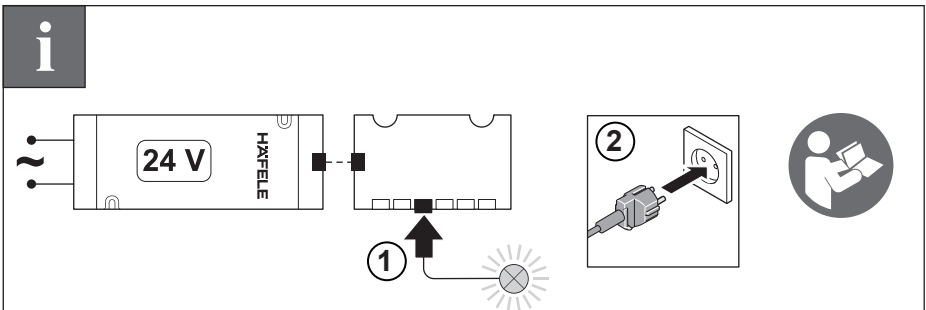
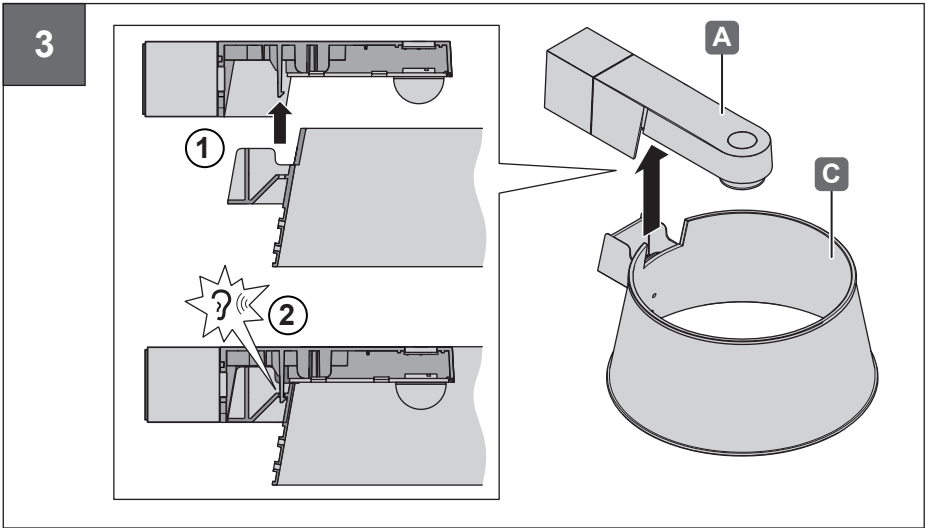
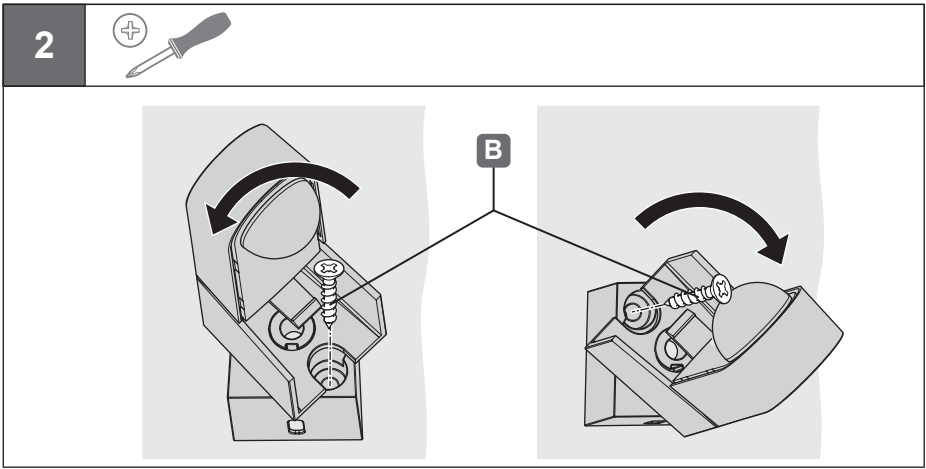
[WS158]

HDE 18.06.2024

732.28.373

[WS188]

HDE 18.06.2024



i

-140° +140°
0°

1x ON 	
1x OFF 	

833.77.570
833.77.571
833.77.572
833.77.580
833.77.581
833.77.582

732.28.373

i

1:1

mm / in

HDE 18.06.2024

[WS158]

© 2024 by Häfele SE & Co KG
Adolf-Häfele-Str. 1 · D-72202 Nagold · www.hafele.com